

FINISHES	
JF08 Finish: H3359 ST32 Light Natural Davenport Oak Laminate Finish	
JF06 Colour: D0100-50 Thickness: 12mm Solid Surface	
JF05 Laminate Finish: WITHIN THE CARCASS	
JF07 Range: Mode Cabinet 'T' Pillared Pull Handle Colour: Stainless Steel Size: 128mm centers Handles	

Joinery
J08- Square Tea point
ITEM H ON THE LIST
QTY 1

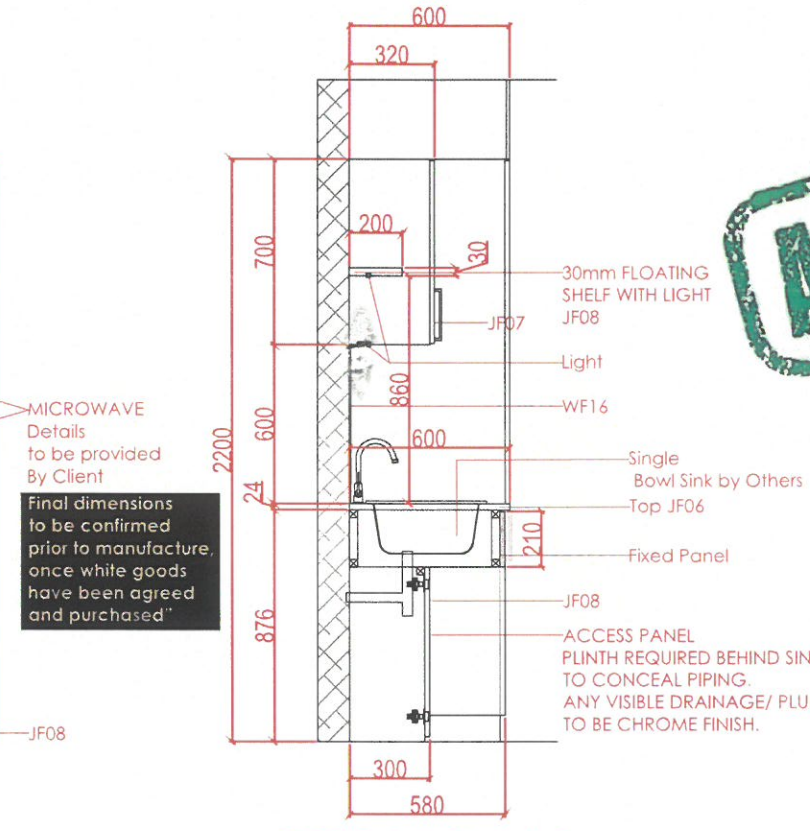
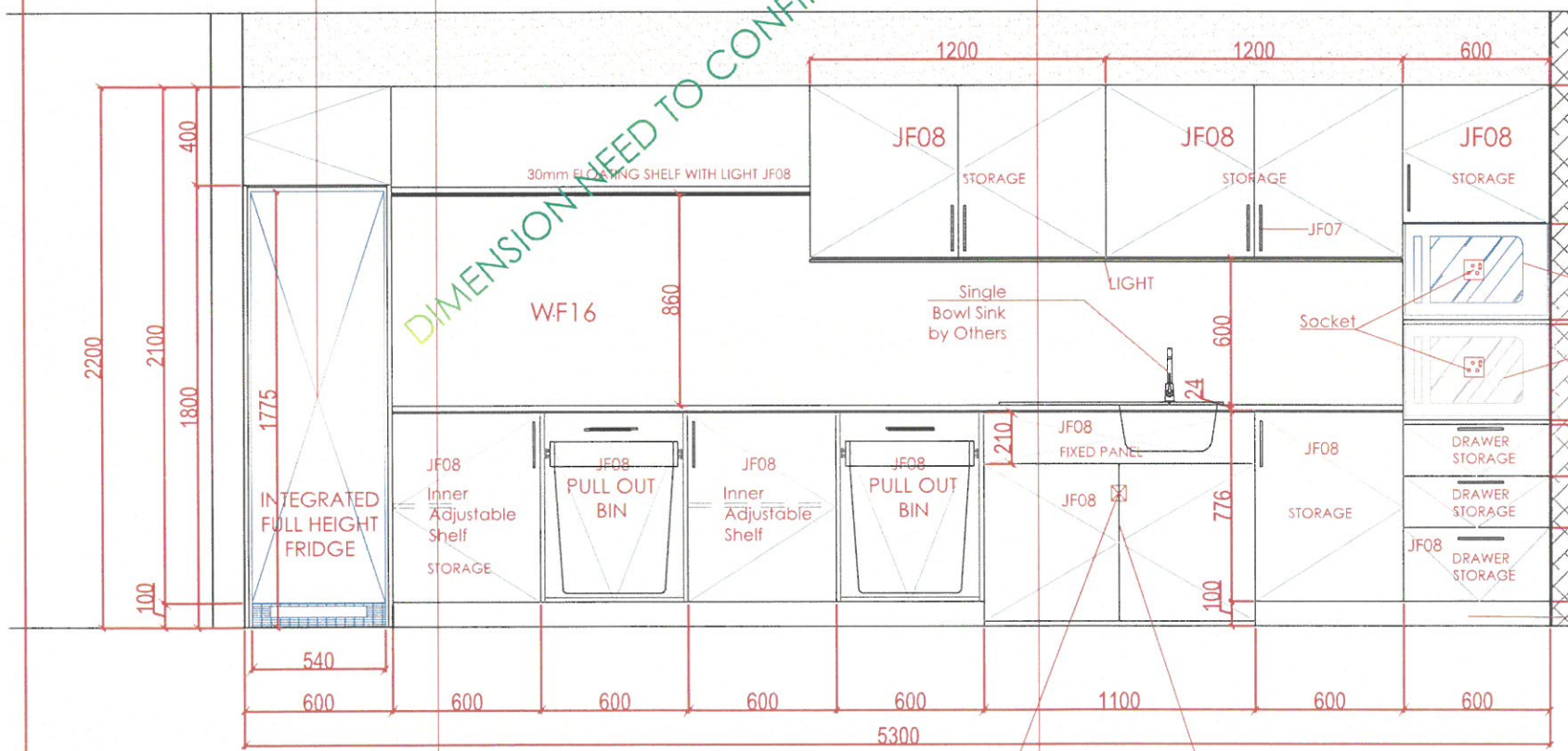
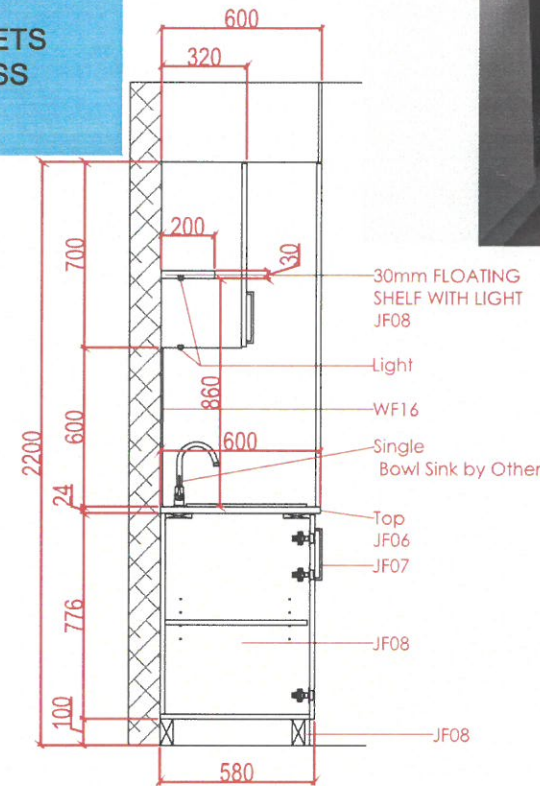
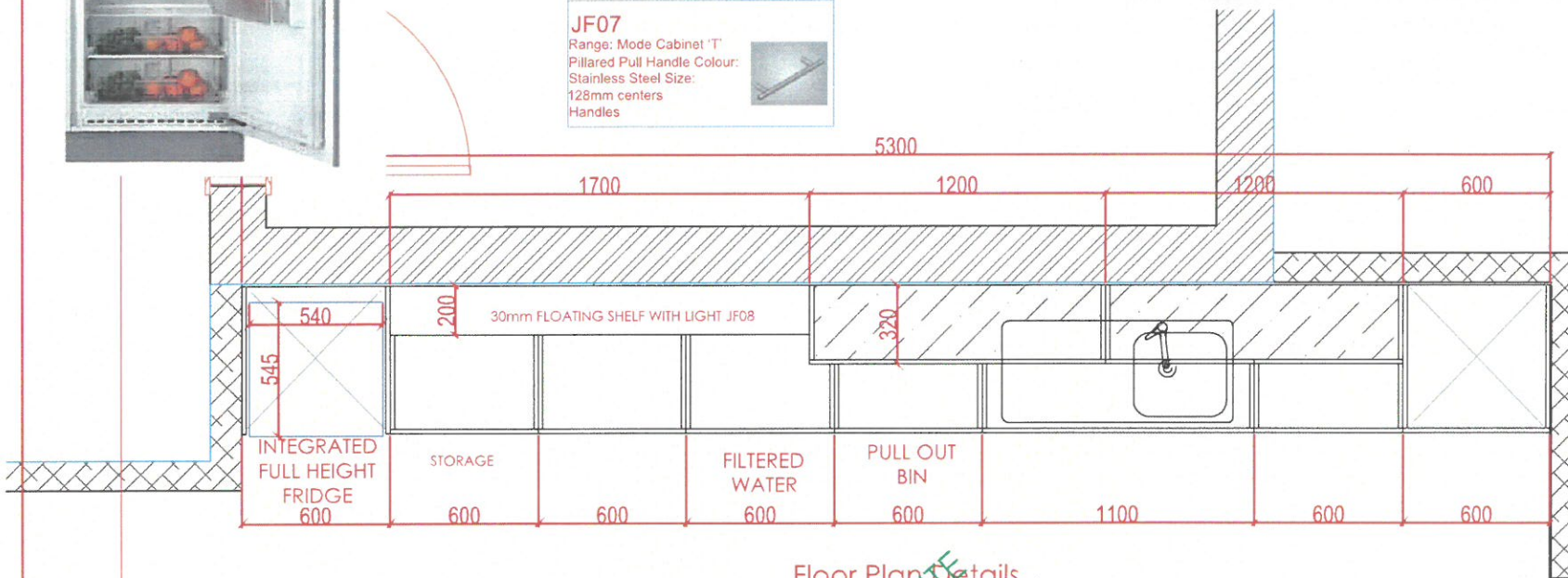
- ADJUSTABLE SHELVES TO ALL CABINETS
- JF05 LAMINATE WITHIN THE CARCASS
- JF07 Handles.



Project
Citi contracting
TetraPak Project

Owner

Date	Description
DSD-V1-ID-2/10/2024	- REV1
DSD-V1-ID-9/11/2024	- REV2
DSD-V1-ID-5/12/2024	- REV3
DSD-V1-ID-7/1/2025	- REV4



DIMENSION NEED TO CONFIRM ON SITE

Final dimensions to be confirmed prior to manufacture, once white goods have been agreed and purchased.



FOR APPROVAL

Project No. : ---
Scale : N/A
Drawn by : OBJ
Checked : OBJ
Cad File : CAD_FILE

Sheet title
Joinery J08- Square Tea point
Floor Plan , Elevation and Sectional Details